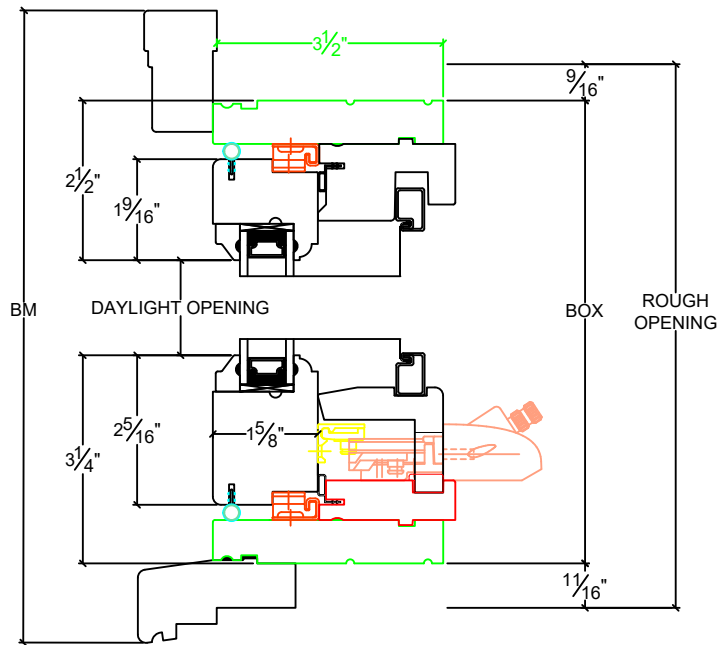
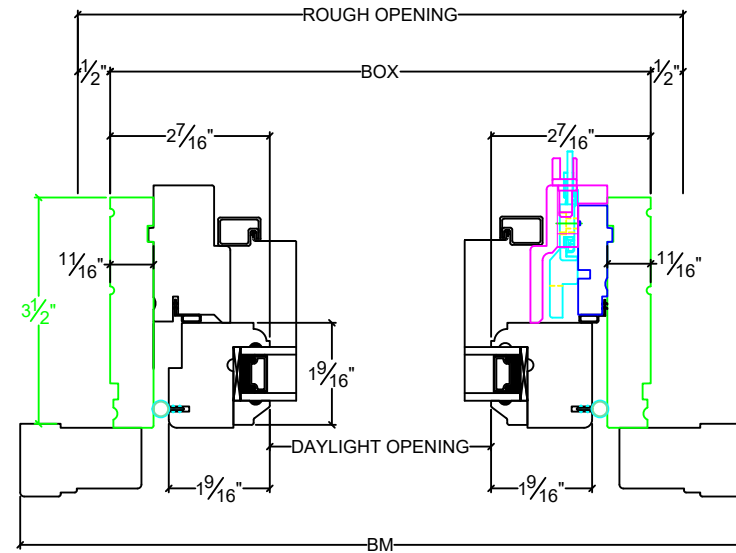


# Casement - Ovalo Profile



Vertical



Horizontal