



## Door Installation

Before you begin please read and understand these installation instructions. The following installation instructions are recommended by Norwood and failure to follow them may void the warranty.

**The following installation instructions are the minimum required by Norwood. If local building codes exceed these installation instructions then the local building codes must be followed.**

Because of newer construction methods and the increasing need for energy efficiency in our homes, this installation method seals the window to the exterior weather barrier. A sill pan is used to capture any water that may collect under the window and redirects it to the outside preventing it from entering the wall cavity.

These installation instructions are to be used in the installation of flat windows only. For any other window type such as bays and bows consult your local Norwood dealer.

### **Material and Tools required for Installation.**

#### **Material:**

- #10 x 2" corrosion resistant pan head screws.
- Cedar shims or spacers
- Galvanized drip cap
- High quality exterior grade silicone sealant.
- Low expansion insulating foam or batt insulation. **Do Not use high expansion Foams.**
- 6" wide self adhesive flashing.
- Building wrap
- Thin, rigid and bendable sheet metal for sill pan or pre-manufactured sill pan such as Sure Sill™.

#### **Tools:**

- Hammer
- Level
- Tape Measure
- Square
- Metal cutting shears
- Utility knife

### **Step 1.**

Unpack the Door:

- Remove all cardboard wrapping and shipping blocks.
- Remove all strapping.
- Remove any dirt and dust from all trims with a clean cloth; this is to ensure that the silicone and flashing will stick.

**Step 2**

- Check the rough opening(RO):
- Make sure that the opening is level, square and plumb.
- Measure the opening, the opening should be  $\frac{3}{4}$ " larger than the Door in width and  $\frac{1}{2}$ " height. Measures should be taken in several locations in the height (bottom, center and top) and for wider doors in width (left, center and right) to ensure that the studs or header is not bowed.

**Note: If a pre-manufactured sill pan is being used, the height of the sill pan must be added to the height of the R.O. Any problems found with the opening should be fixed before you continue.**

**Step 3.**

Cutting the Weather resistant Barrier:

- Cut the weather resistant barrier in the same manner as described in step 3 of the window installation section.

**Step 4.**

Installing the sill pan:

- Prepare the sill pan as described in step 4 of the window installation.

**If a Pre-manufactured sill pan is being used, install it in accordance to manufacturer's instructions.**

- Place sill pan in the opening for a "dry fit".
- Remove the sill pan and put three  $\frac{3}{8}$ " beads of silicone on the sill.
- Put  $\frac{3}{8}$ " bead of silicone on the inside of the downward lip of the sill pan.
- Place sill pan back into opening and press into silicone to ensure a good fit.
- Fasten sill pan to framing using screws 16" on center.
- Cover the heads of the screws with silicone.

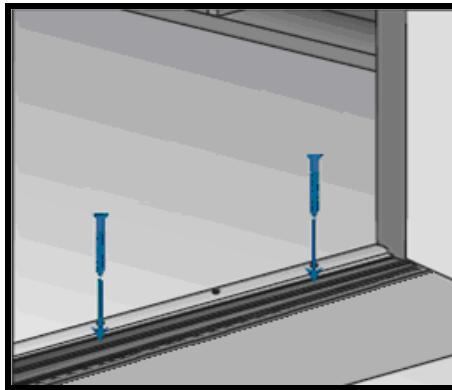
**Step 5.**

Installing the Door:

**Note: All Norwood Doors are installed using installation straps screwed to the side of the door (at the factory) and fastened to the framing from the inside.**

- **This is at least a two person step, one person outside holding the door and one person inside to fasten the door to the framing.**
- Put a continuous 3/8" bead of silicone around the sides and top of the door behind the exterior casing.
- Put a 3/8" bead of silicone on the back wall of the sill pan toward the door sill.
- Place the door in the opening and center it.
- Plumb and square the door using shims.
- Shims **MUST** be places at each hinge location and at the lock strike location.
- Check the door to ensure that the clearance between the panel and the frame is consistent. The clearance should be 1/8".
- Bend the installation straps over the interior framing and secure with screws.
- Open the door and install the #10 2 1/2" wood screw supplied in the predrilled holes in the hinges of the door jamb. The screws **MUST** be driven through the jamb and into the stud in order to support the weight of the door.
- With the #10 2 1/2" screws provided screw the sill to the floor through the predrilled holes in the crown.

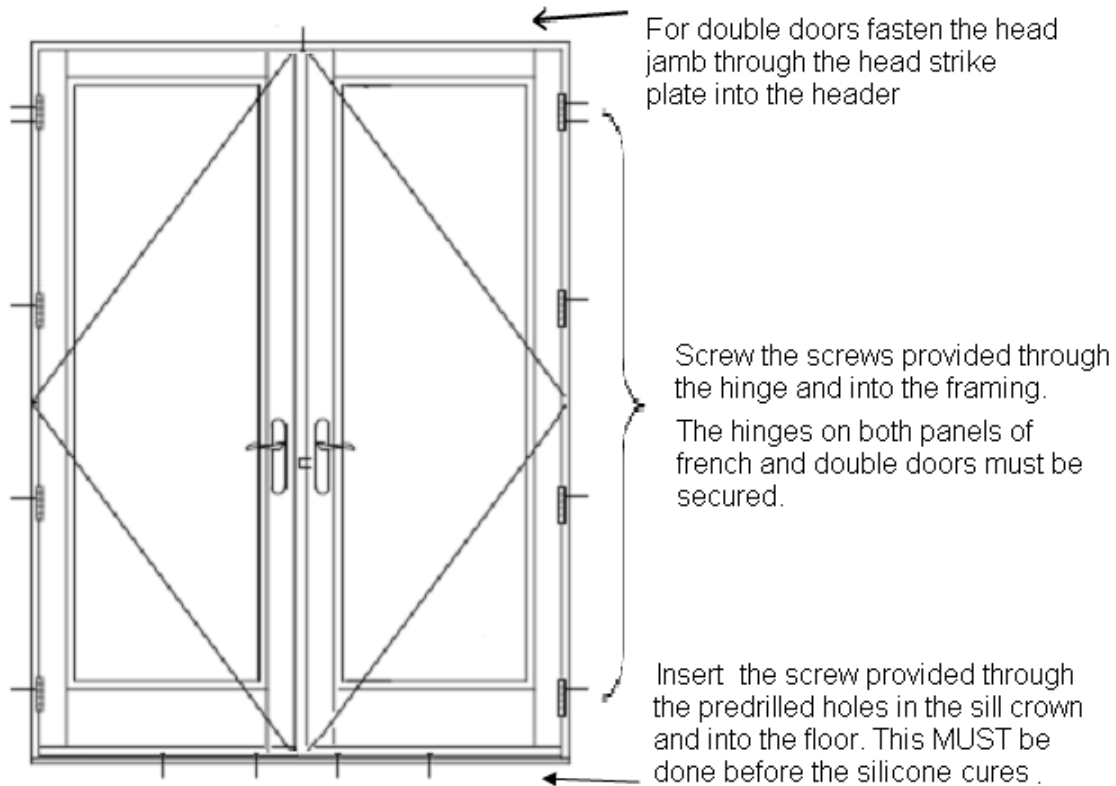
**Note: The sill **MUST** be secured to the floor before the silicone cures. If the sill does not set straight on the floor this will cause a bow in the center, causing the door not to operate correctly, this will void the warranty.**



# NORWOOD

NEVER ORDINARY

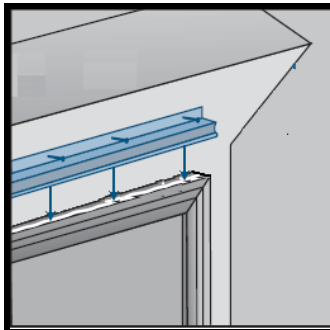
- For Double doors the head jamb should be fastened to the header in the center of the jamb through the head strike plate using the #10 2 ½” screw provided.



## **Step 6.**

### Installing Drip cap:

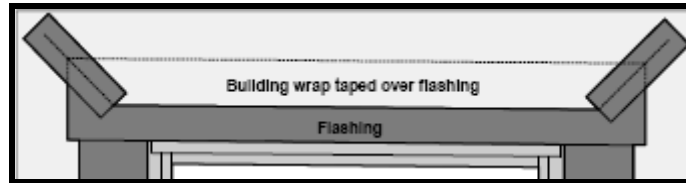
- Cut galvanized drip cap ¼” longer than width of door.
- Apply ¼” bead of silicone to top of the exterior trim of the window and the wall.
- Center drip cap over door on top of exterior trim and nail in place. Place nails in the exterior wall sheathing not through the top of exterior trim. Put silicone on the heads of the nails.



**Step 7:**

Applying self adhesive flashing:

- Cut 2 pieces of self-adhesive flashing 12” longer than the height of the Door and 1 piece 14” longer than the width of the door.
- Apply the two longer pieces of flashing tight to the exterior trim (1 piece on each side). Allow the flashing to go above the door 5” on each side.
- Apply the third piece of flashing at the top of the door tight to the exterior trim.
- Fold the weather barrier (temporarily stapled up above Door) down over the flashing at the top of the Door. Secure in placing using building tape or silicone.
- Place tape over the diagonal cuts in the weather barrier at the top of the Door.



**Step 8:**

Finishing the installation:

- You could use either fiberglass insulation or low/minimal expansion foam to insulate the door.

**Note: DO NOT pack fiberglass insulation too tight. FOLLOW ALL manufacturers' installation instruction on any expanding foam used.**

- After the exterior finish is complete silicone the sides and top of the door.