

Assembly instructions Eclipse e3 folding door

Norwood has assembled most the folding door system in the plant before shipping however, because of the size and weight of the completed unit the door panels are shipped loose.

Before you begin installing the frame check the following:

- The rough floor is level and flat
- The rough opening is square
- The header of the rough opening is structurally sound and capable of carrying the weigh of the door
- Make sure the tracks on the door are clean

Note: Because of the weight and size of the door panels the installation of this door should not be attempted alone. Please ensure that you have adequate help.

Norwood is unable, and does not control the actual site measurements and installation of the door and therefore is not responsible for the performance or site related damage of the installed product.

1 - Before installing the door frame into the rough opening remove the shipping blocks on the exterior side jambs of the frame. (Fig-1)

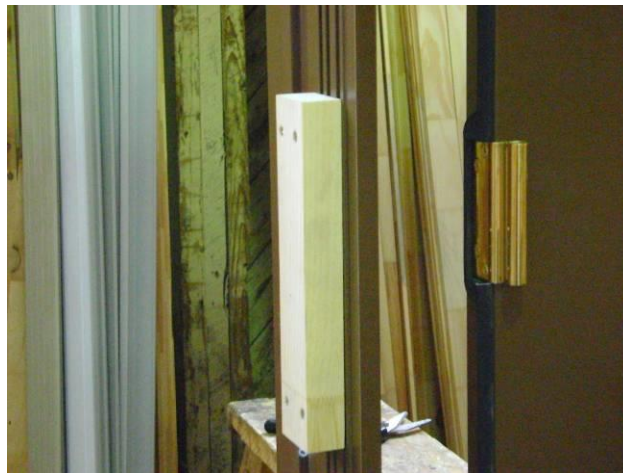


Fig -1

2 - Install the door frame into the rough opening (as per included instruction) before installing the door panels.

NORWOOD

NEVER ORDINARY

Norwood has label all of the panels so they can easily identified for installation. (Fig 2)
Shown in figure 2 is a 4 wide panel, however the same type of identification will be used
for larger doors.

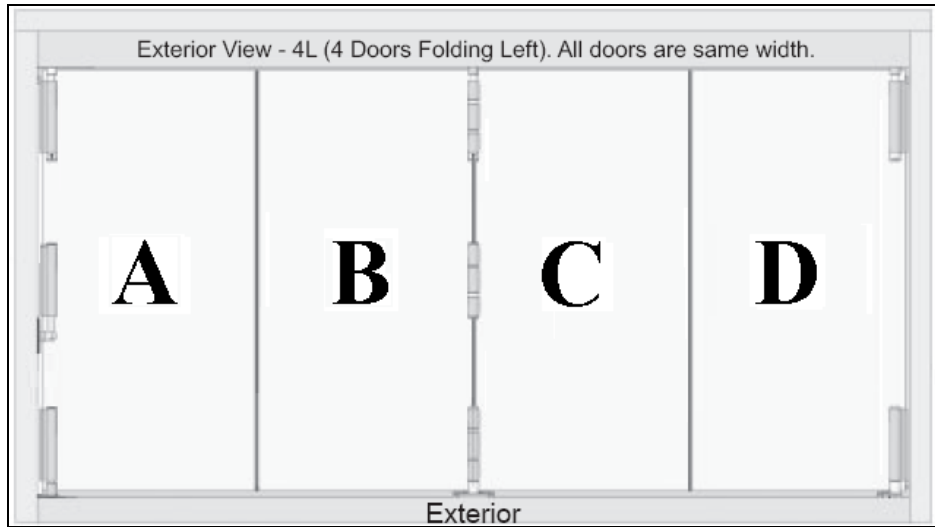


Fig-2

The first two panels to be installed are the two panels at the side jamb. For the door in figure 2 it would be panels A and D,

3 - Insert the Wall Pivot (fig-3) in the center hinge of panel A.



Fig-3 Wall Pivot

NORWOOD

NEVER ORDINARY

4 - Set the door panel in the open in the open position. Line up the wall pivot(s) (fig-3) and insert it in the wall pivot socket (fig-4) installed on the door jamb. See figure 5 for more detail.



Fig-4 Wall Pivot socket

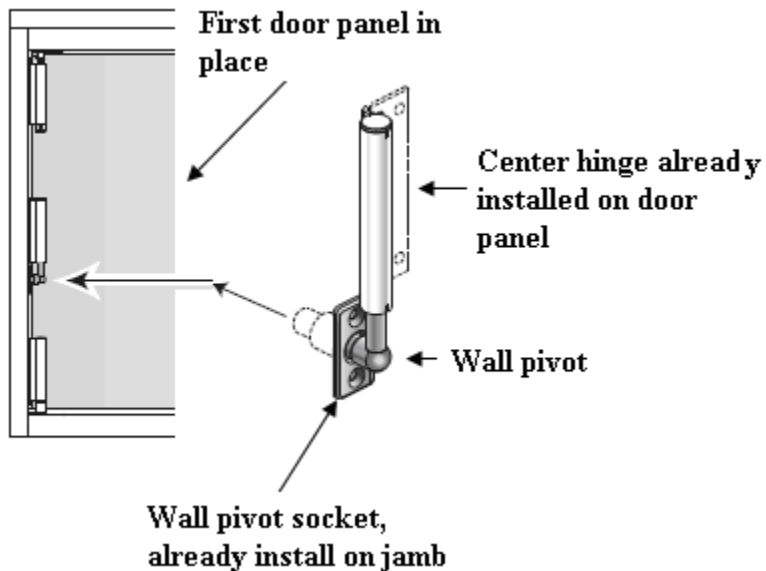


Fig 5

5 - Screw top hinge into the predrilled holes on the door panel with the screws provided. Fig- 8

6 - Screw bottom hinge into the predrilled holes on the door panel with the screws provided. Fig - 8

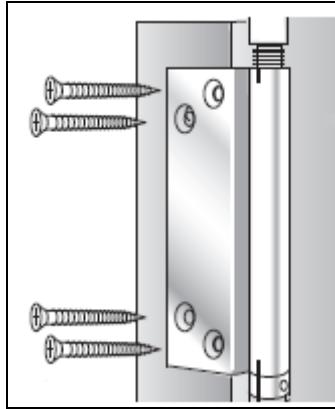


Fig - 8

7 - Repeat steps 3 to 6 for the first panel on the opposite jamb.

8 - Once both end door panels are installed continue install the remaining door panel in the required sequence using the screws provided.

Note:

To prevent damage to the hardware always support the weight of the door panel until all screws in the door hinge are installed.

Final adjustment:

Horizontal:

When all of the door panels are installed some final adjustment will be need to make the door panels run smoothly.

For horizontal (Fig – 9) adjustment use a screwdriver and turn the screw clock wise or counter-clock wise to move the door panels from side to side. Fig – 10



Fig – 9

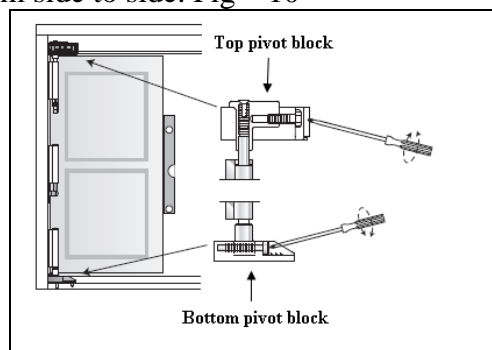


Fig – 10

Figure 11 shows the proper gap between each panel.

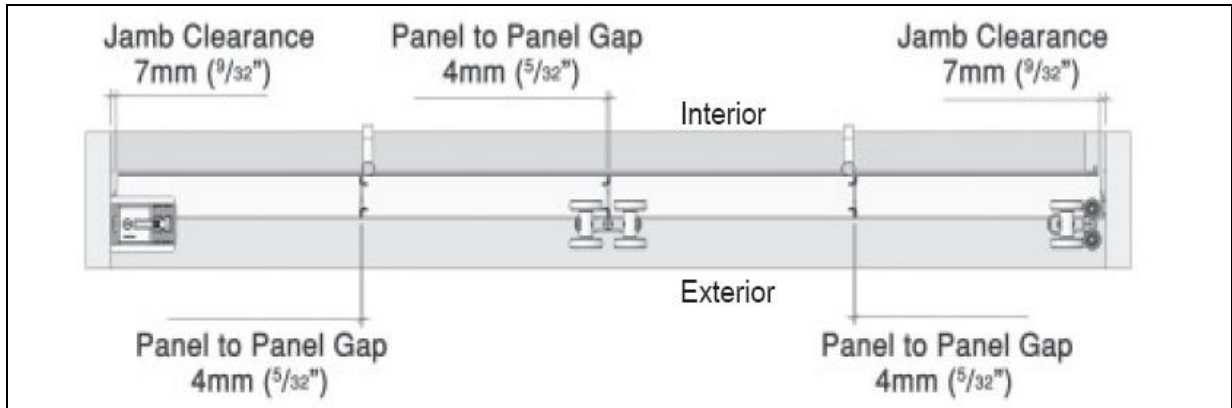


Fig - 11

Vertical:

For vertical adjustment use a flat head screwdriver insert it into the slot on the bottom of the top hinge and rotate the pin. Fig - 12

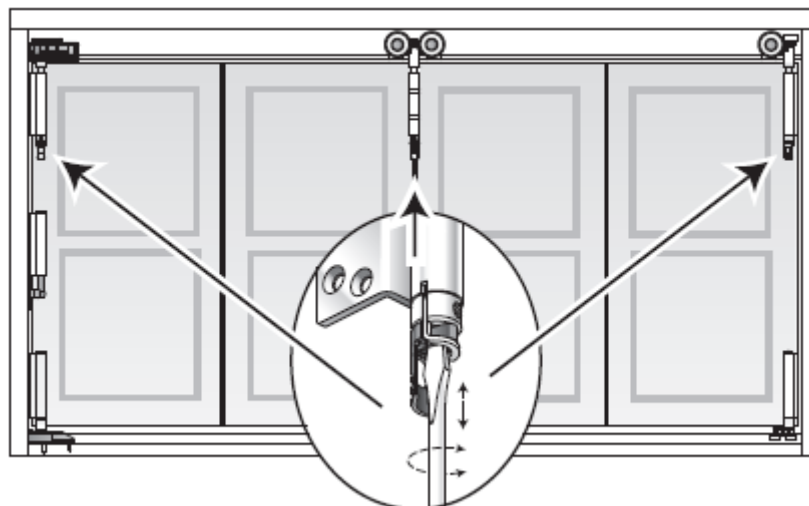


Fig -12

Please refer to figure - 13 for the following instructions on the vertical adjustments

NORWOOD

NEVER ORDINARY

1. The Surelock hinge system is supplied with a plastic clip installed to make the initial adjustment easy.
2. Insert a flat bladed screwdriver into the slot to rotate the pin.
3. When the correct clearance is reached (see fig - 4) and the doors are operating well, remove the shipping clip.
4. The Surelock hinge will automatically snap into place when the blade and slot are aligned.
5. To readjust at a later date, pull down blade to disengage it from the slot and repeat steps 2 to 4.

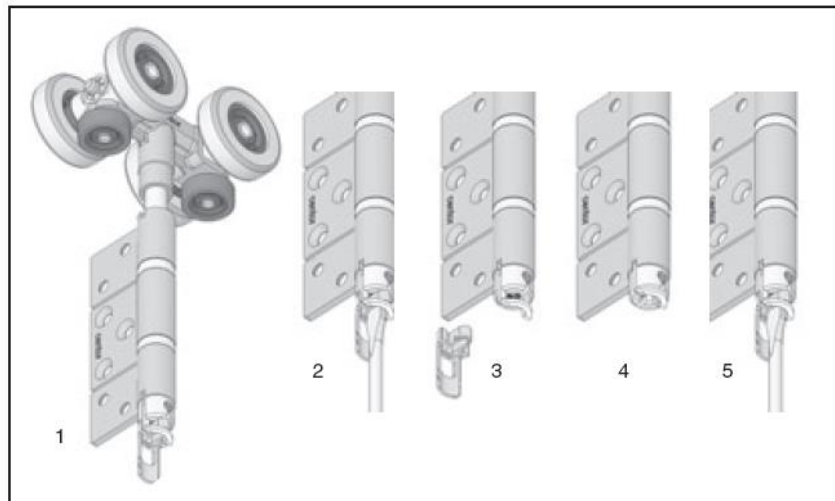


Fig - 13

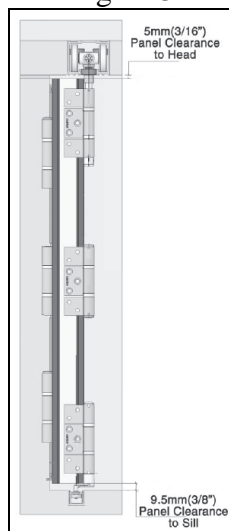


Fig - 14