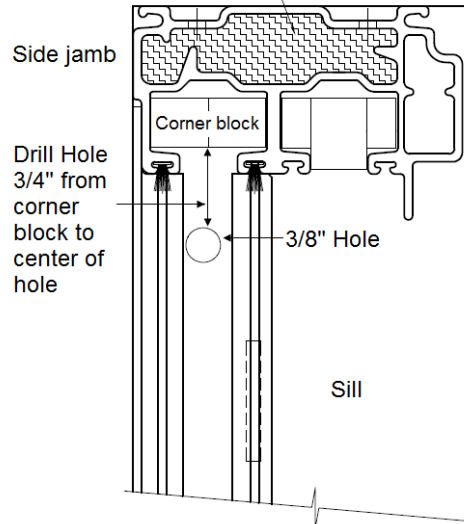


Siliconing corners and applying Rainguard on the Fiberglass Hung window

Siliconing the corners:

Drill one 3/8" hole on the inside sill of the window 3/4" from the inside corner,

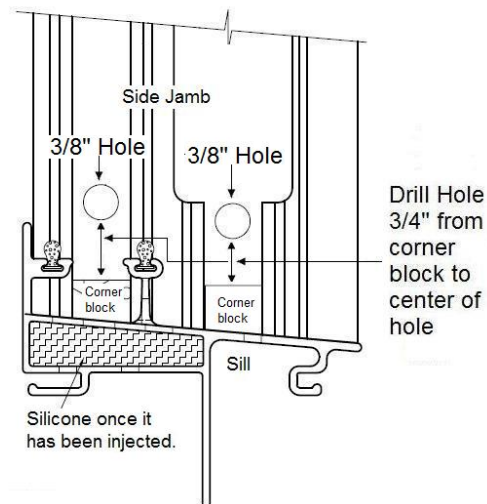
Silicone once it has been injected.



Drawing 1

Drill one 3/8" hole on the inside frame sash track of the window 3/4" from the bottom inside corner.

Drill one 3/8" hole on the exterior frame sash track of the window 3/4" from the bottom inside corner.

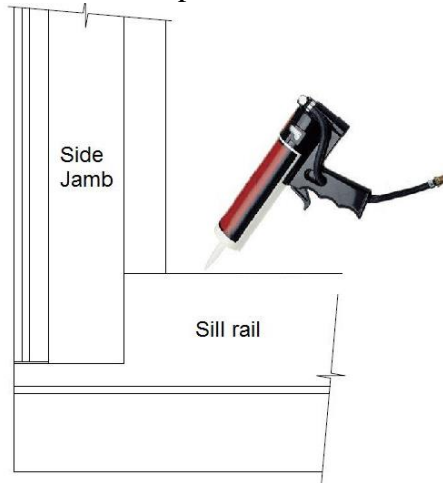


Drawing 2

NORWOOD

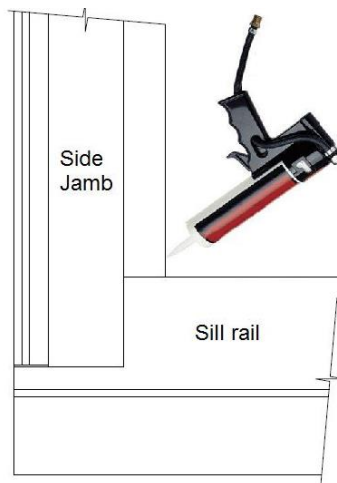
NEVER ORDINARY

Using exterior grade silicone, hold the air powered silicone gun pointed toward the corner (picture 1) inject silicone through the hole drilled into the sill. Inject the silicone until the silicone is seen coming out around the tip of the tube of silicone.



Picture 1

Repeat above step in the remaining two predrilled holes in the side jamb, remembering to keep the silicone gun pointed toward the corner (picture 2) while injecting the silicone.



Picture 2

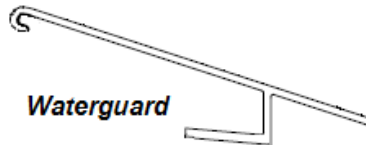
When the three holes have been filled, clean up any excess silicone and push a plastic cap into the hole.

NORWOOD

NEVER ORDINARY

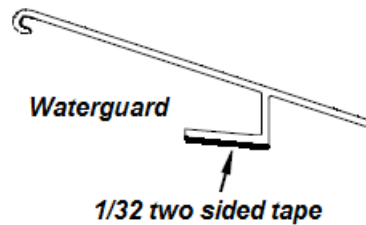
Waterguard Installation:

The Waterguard's (drawing 3) main function is to shed water from the sill of the window away from the bottom of the sash



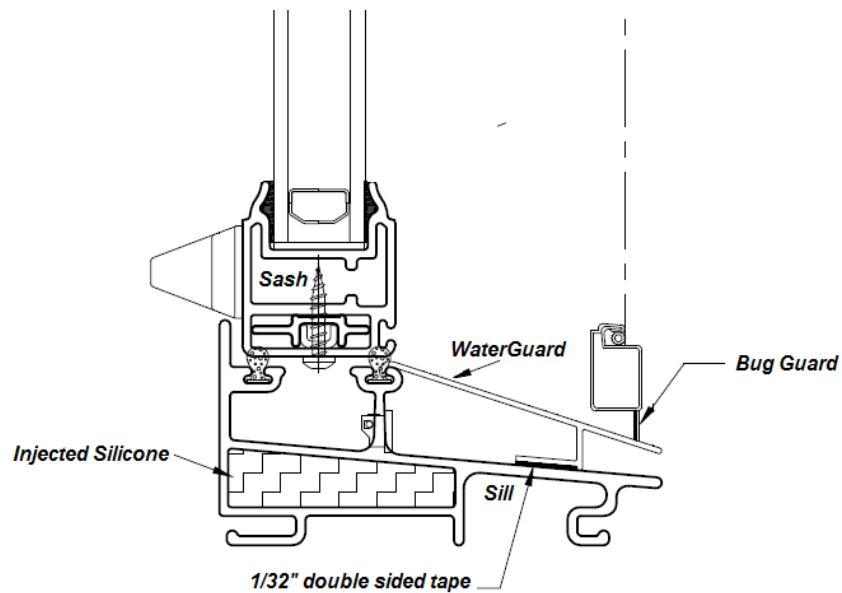
Drawing 3

Apply 1 /32 two sided tape to the Waterguard as shown in drawing 4



Drawing 4

Set the Waterguard in place as shown in drawing 5.

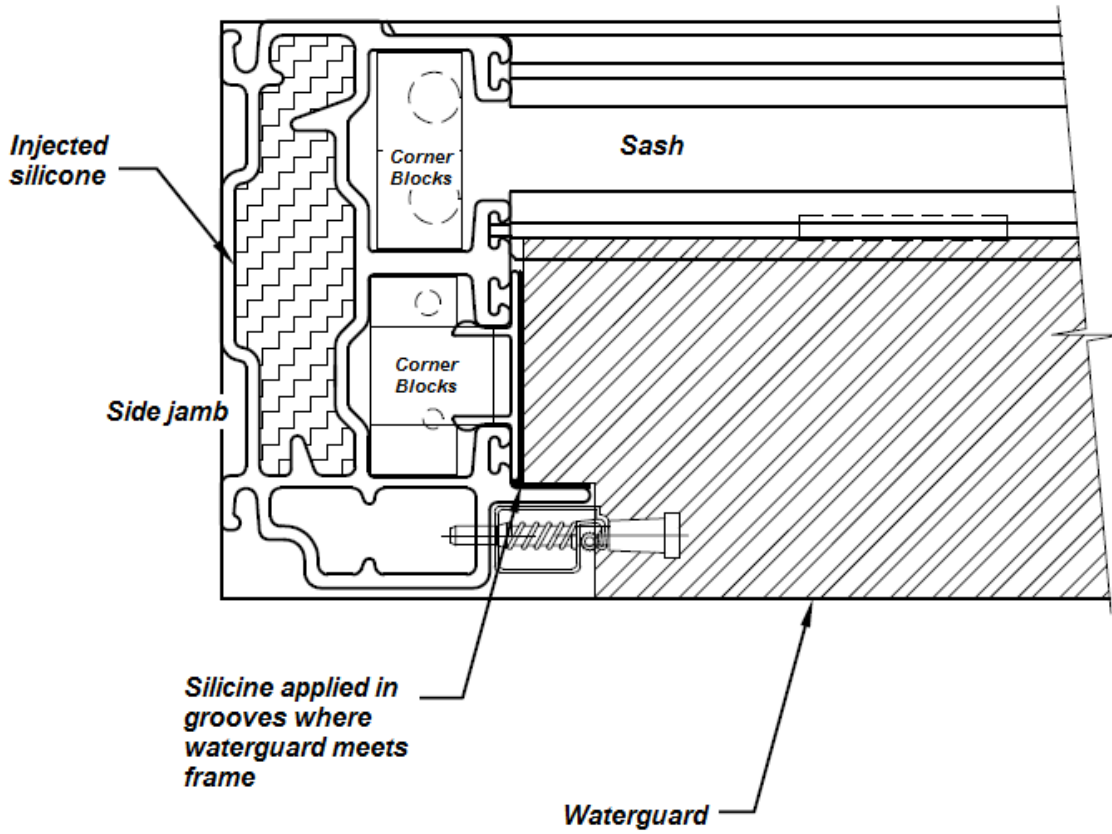


Drawing 5

NORWOOD

NEVER ORDINARY

Silicone the end of the Waterguard where it meets the side jamb of the window see drawing 6.



Drawing 6