

## **Assembly instructions Lift and Slide Patio door**

Norwood has assembled most the Lift and Slide Patio door system in the plant before shipping however, because of the size and weight of the completed unit the door panels are shipped loose.

Before you begin installing the frame check the following:

- The rough floor is level and flat
- The rough opening is square
- Make sure the tracks on the door are clean

**Note: Because of the weight and size of the door panels the installation of this door should not be attempted alone. Please ensure that you have adequate help.**

Norwood is unable, and does not control the actual site measurements and installation of the door and therefore is not responsible for the performance or site related damage of the installed product.

**Note:**

**Match the correct panel to the correct frame by matching the number on the panel to the number on the frame.**



Picture 1

# NORWOOD

NEVER ORDINARY



Picture 2



Picture 3

- Picture 1 shows the cap on top operating edge of the operating door panel.
- Picture 2 shows the cap on the top back edge of the operating panel.(shipped loose)
- Picture 3 shows the cap on the bottom edge of the operating panel.



Top cap



Bottom Cap



Operating edge cap

Picture 4

Above the three the cap once removed. Do not throw out the caps they will be reinstalled once the operating is in place.

2 – Install the operating panel into frame by lifting up with the top track going into the groove on the top of the operating panel, Figure 1.

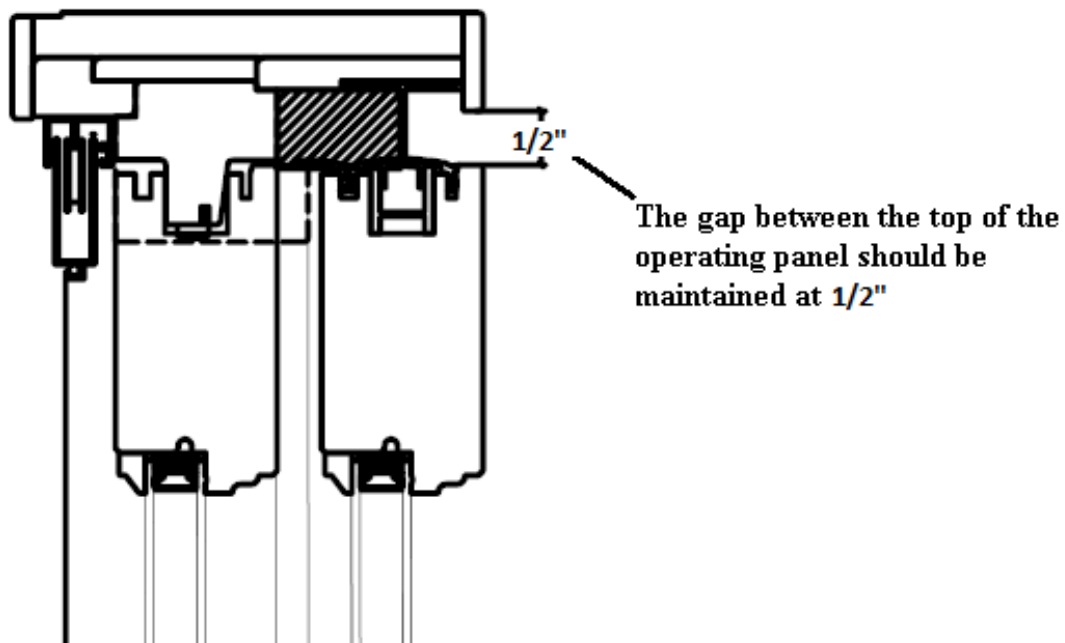


Figure 1

3 – When the top of the operating panel is in the groove, lift the bottom of the panel in over the track and lower it in place, Figure 2.

# NORWOOD

NEVER ORDINARY

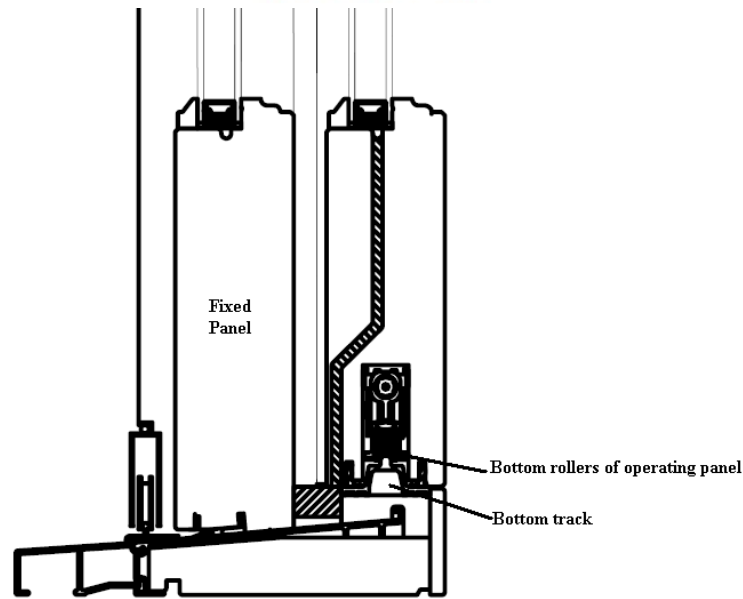


Figure 2

4 – When the operating panel is in place ensure that gap between the operating panel and the head of the jamb is  $\frac{3}{4}$  inch. To maintain the gap adjustments must be made to the head of the door jamb by adding or removing shims. The door panel has no height adjustments.

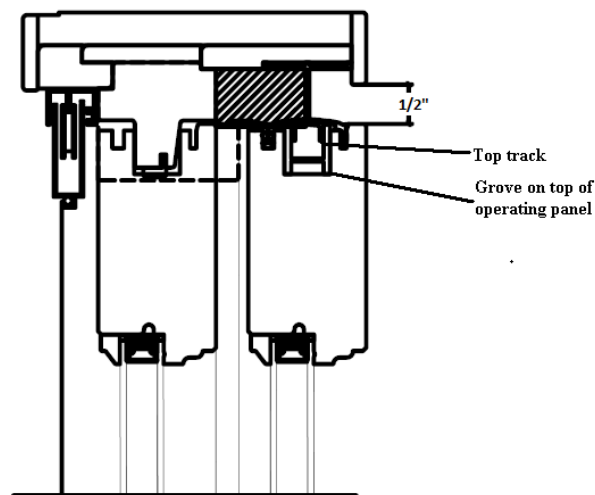


Figure 3

5 – Once the operating panel is in place with the proper gaps reinstall the caps removed in step 1

6 – You now can install the handle set.