

Site mulling of Transom to Door

- Inspect product to ensure there was no damage during shipping
- Lay the door system flat on the floor or on sturdy work horses.
- Position transom at the top of the door system. Allow room between the transom and door system for silicone. Figure 1

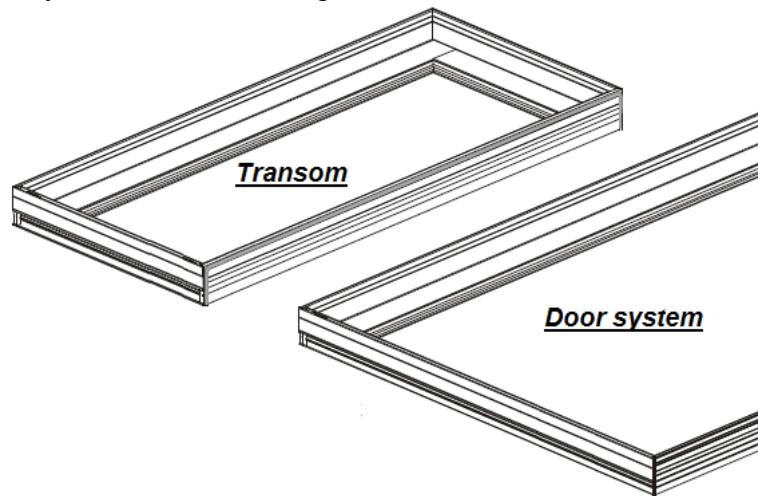


Figure 1

- Apply a bead of silicone on the Bottom of the jamb of the transom, between the door and transom. Figure 2

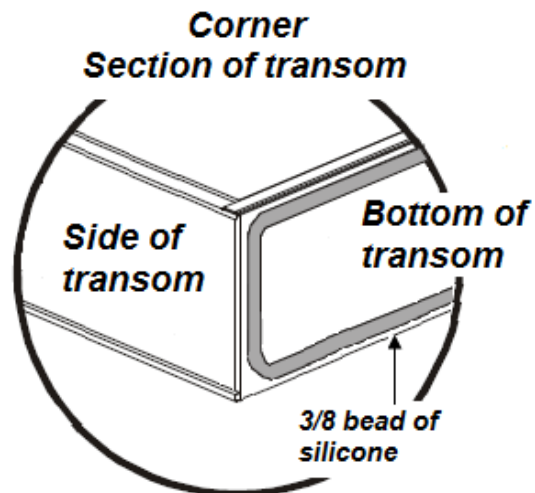


Figure 2

NORWOOD

NEVER ORDINARY

- Push the transom tight to the top of the door. Using clamps to hold them together. Note: make sure that the transom sets flush and tight against the top of the door jamb. Figure 3

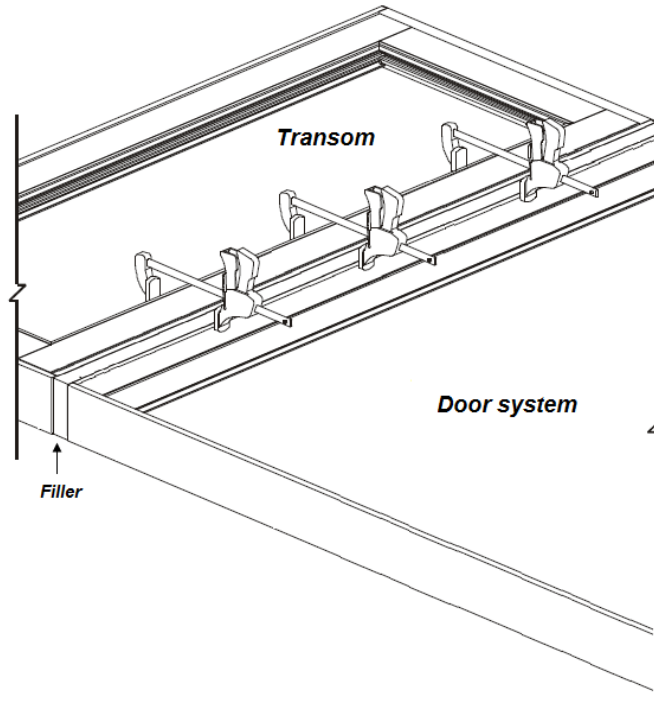


Figure 3

- Using the Corrugated fasteners provided, (the fasteners are usually installed with an air gun but can also be hammered in) nail then into the joint between the door and transom using the nailing sequence shown in figure 4 and ensuring that the fastener is across the center of the mull.

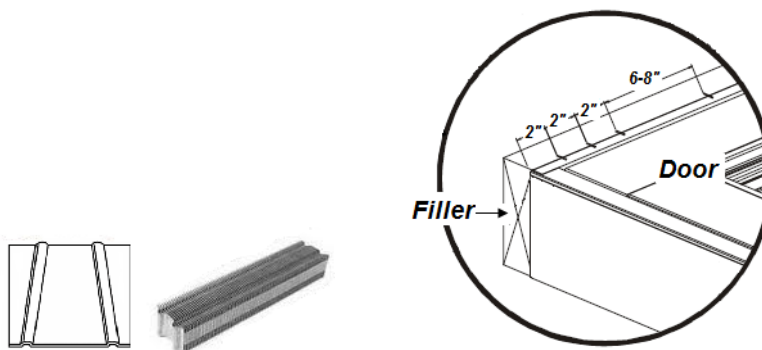


Figure 4

- Nail the corrugated fasteners provided then into the end joint between the door and transom as shown in figure 5 and ensuring that the fastener is across the center of the mull.

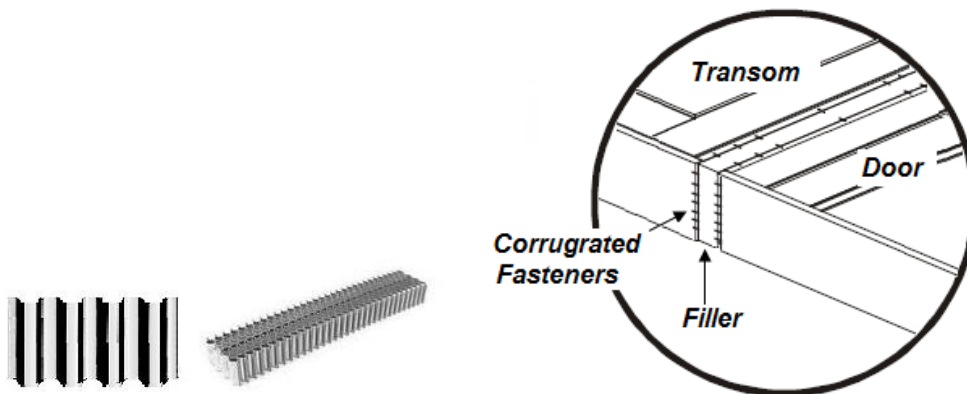


Figure 5

- Turn door system over, make sure that the door and transom joint is supported during this step
- Nail the corrugated fastener along the joint between the door and transom using the nailing sequence shown in figure 4 and ensuring that the fastener is across the center of the mull.
- Silicone the joint once the fasteners are in place.

Installing the exterior mull cover

Norwood recommends that the exterior mull cover be blind fastened thus eliminating the need to fill and patch the nail heads.

- Position the mull cap in place.
- Mart the top and bottom edge of the mull cap on the door frame and transom
- Remove the mull cap

NORWOOD

NEVER ORDINARY

- Using the headless nails provided, nail the nails $\frac{3}{8}$ inch from the line drawn on the door jamb and transom (both top and bottom of the mull cap, where the mull cap was fitted). When nailing the nails leave then exposed $\frac{1}{2}$ inch to $\frac{3}{4}$ from surface. Place the nails 6 to 8 inches apart. Figure 6

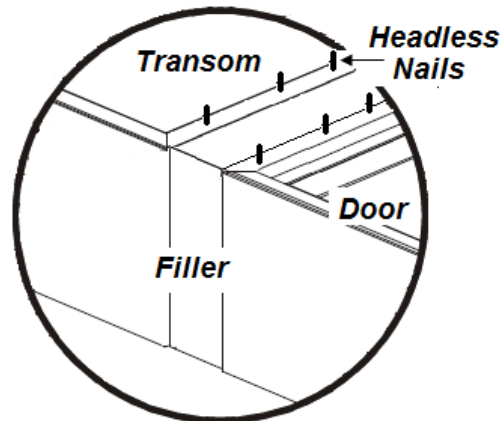


Figure 6

- Apply a bead of silicone in line with the nails.
- Position the mull cap over the nails and gently tap the mull cap to the door system using a rubber mallet until the mull cap sits tight against the door, Figure 7

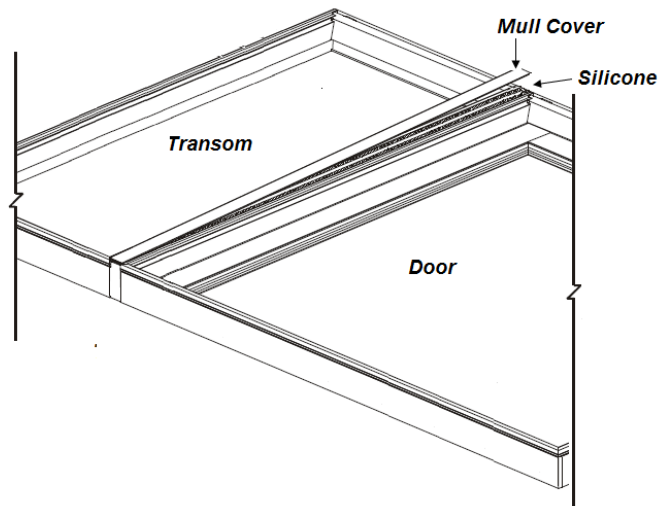


Figure 8

- Silicone the top and bottom of the mull cap where it meets the door system.