

Shutters

Index

Product Features.....	Shutter-2
Elevations.....	Shutter-3
Section Details:	
Louvers.....	Shutter-4
Raised Panels.....	Shutter-5
Wood Plug Detail.....	Shutter-6
Venting Louver.....	Shutter-7

Shutters

Product Features

STANDARD FEATURES (rectangular):

- ~ Natural or prime time 2, eastern white pine
- ~ 1 5/8" thick sash
- ~ 1 9/16" stiles & rails
- ~ 1 cross rail @ 2 1/8" (optional)
- ~ Raised panel or panel with louvers.

STYLES:

Shutters are available as rectangular or camber top (center facing, left & right facing), and extended half round (center facing, left & right facing).

SPECIFICATIONS:

SASH:

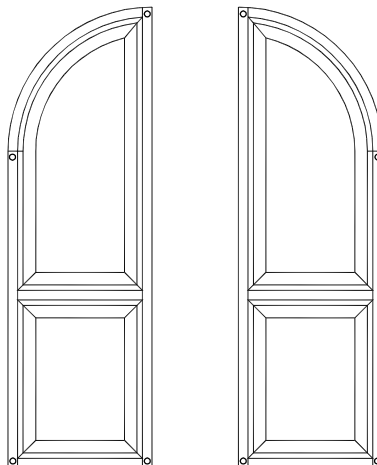
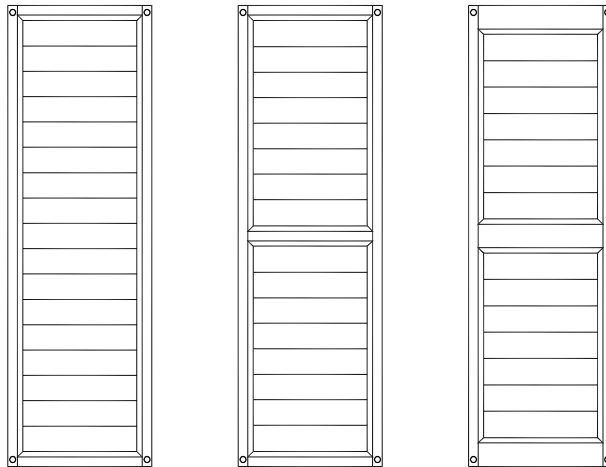
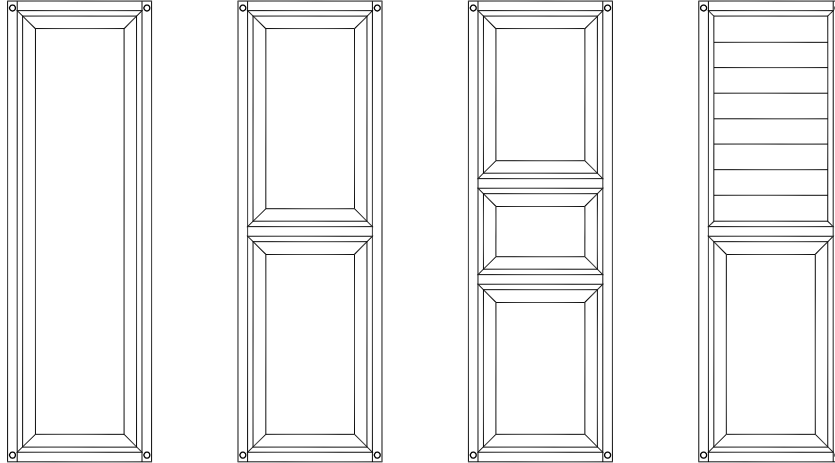
- ~ 1 5/8" thick in pine (or other wood species).
- ~ 1 9/16" stiles & rails. Stiles & rails can be customized up to 5 1/2".
- ~ 2 1/8" cross rail. Cross rail can be customized up to 5 1/2".
- ~ Louvered shutters available with 2"-3 1/2" reveal
- ~ Glazing bead is putty profile.
- ~ Wood plugs are available. Please note that when wood plugs are requested, shutters are not pre-drilled to accommodate.

OPTIONS:

- ~ Venting louvers available. 1 5/8" thick sash with louvers & screen mesh installed in frame. Please contact a Norwood Sales consultant for more information.

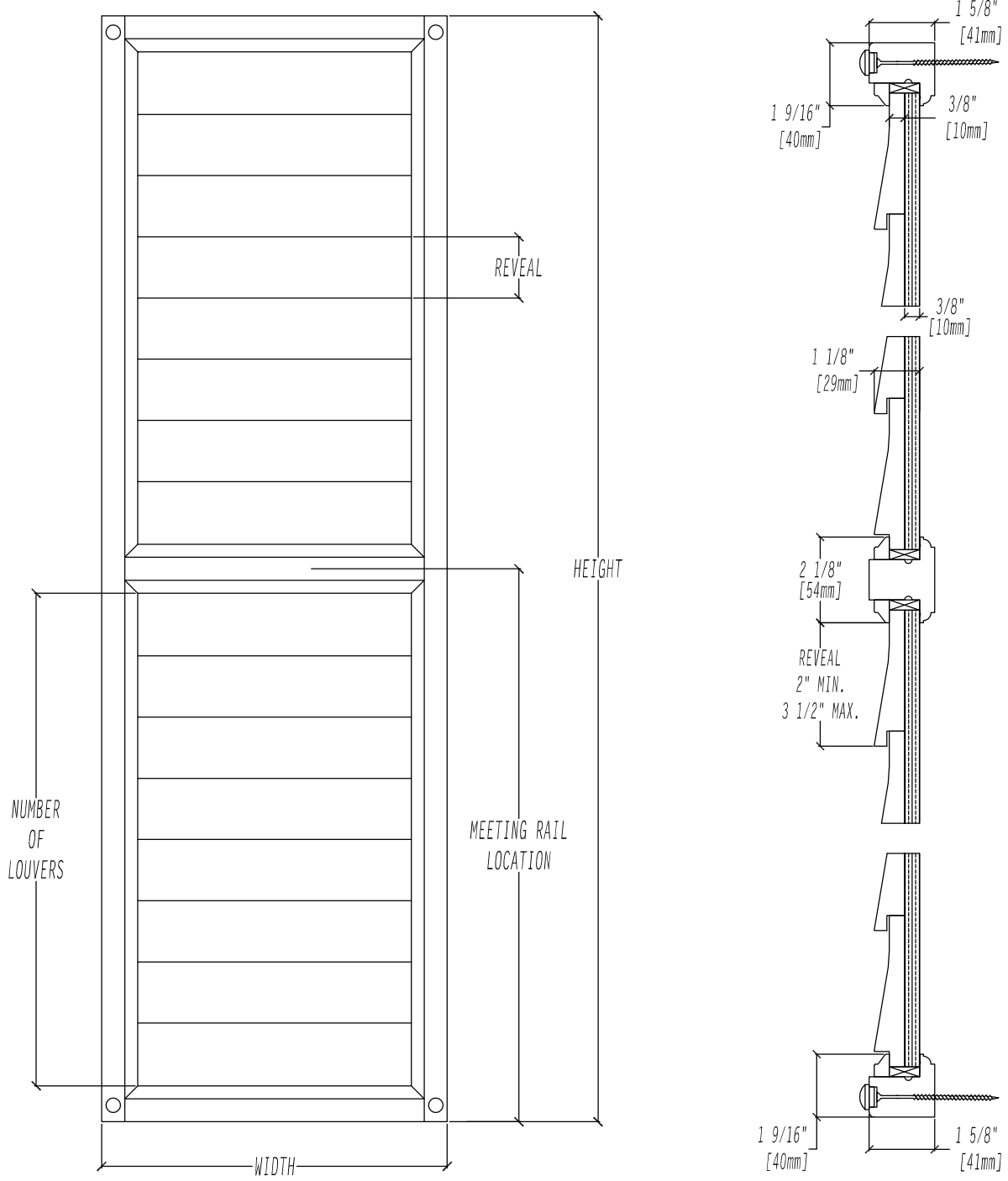
Shutters

Elevations



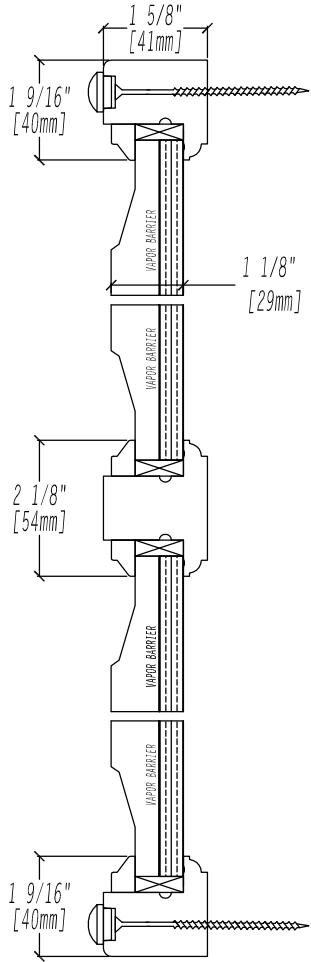
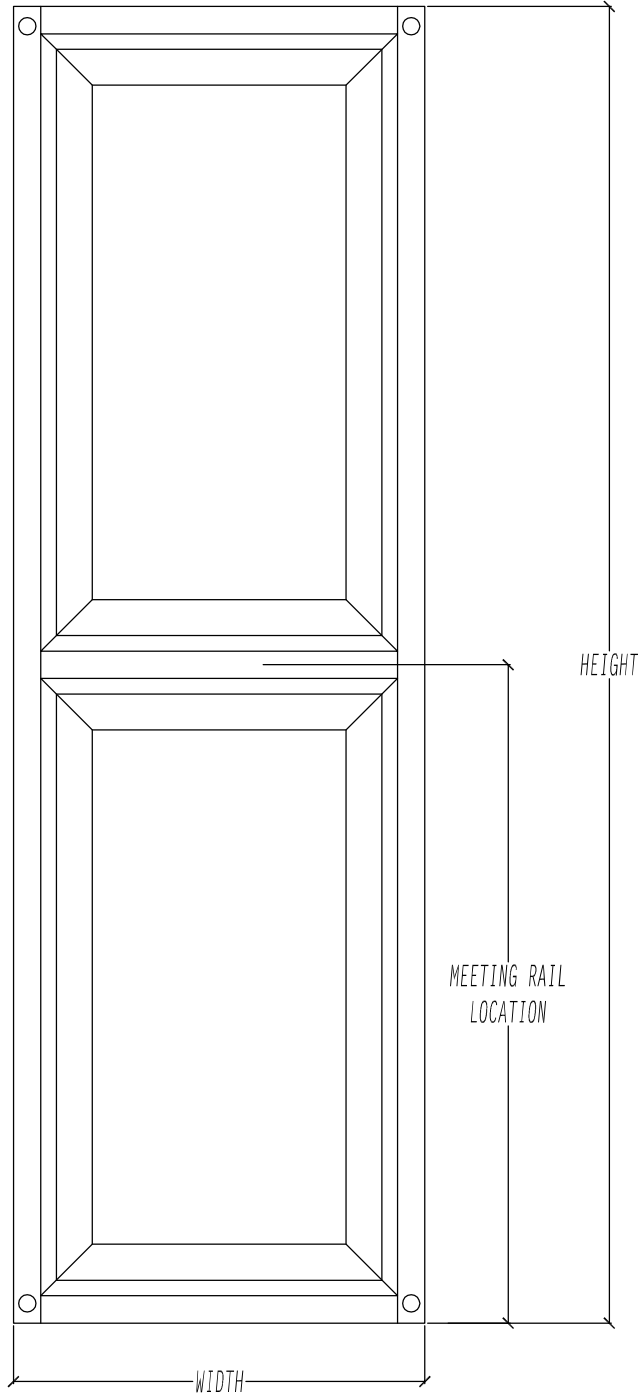
Shutters

Section Details - Louvers



Shutters

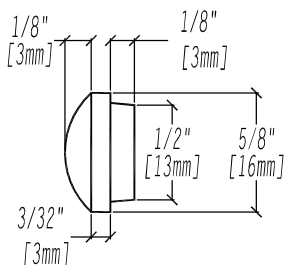
Section Details - Raised Panels



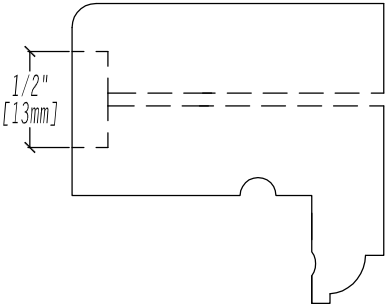
Shutters

Section Details - Wood Plugs

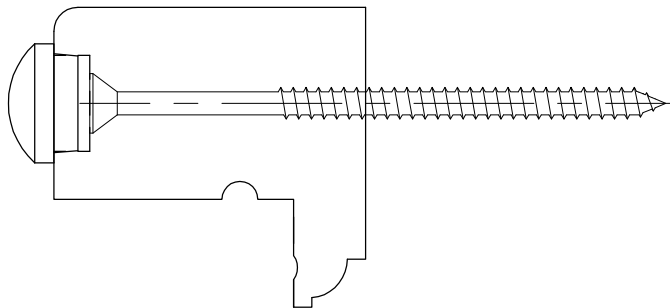
SHUTTER WOOD PLUG DETAIL



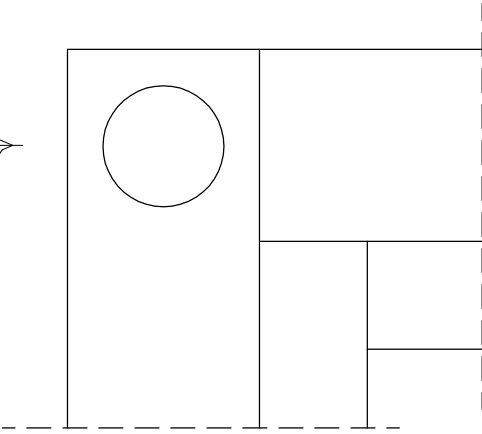
WOOD PLUG



CUSTOMER TO PRE-DRILL FOR INSTALLATION



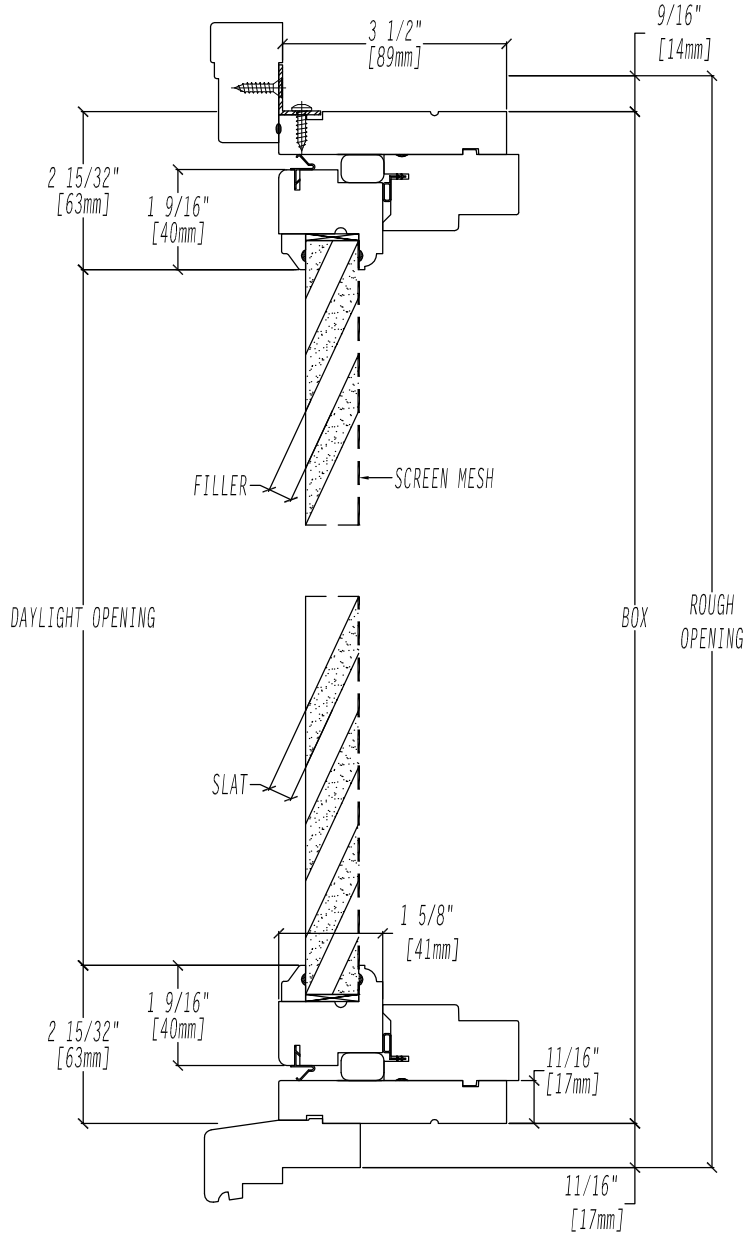
SIDE VIEW



FRONT VIEW

Shutters

Section Details - Venting Louvers



SHUTTER-7