

How to install the Patio Door Foot Lock

Your new patio door was shipped with the Foot Lock loose and must be installed once the patio door is installed and working properly.

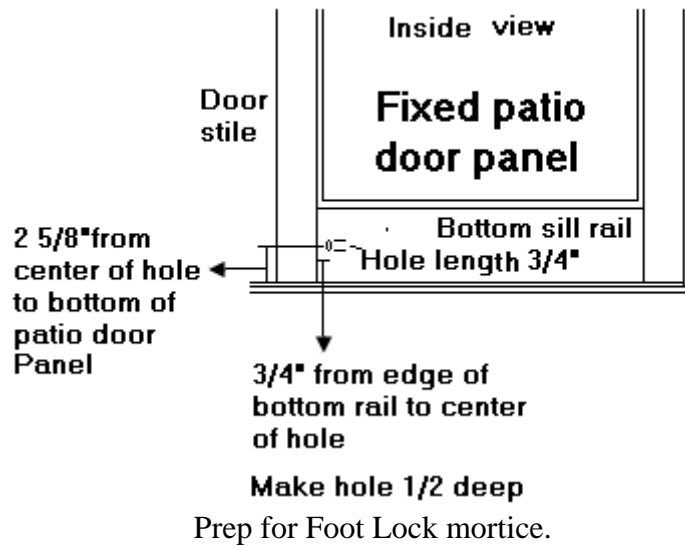
Parts shipped with the Foot Lock



Foot Lock complete with 4 screws

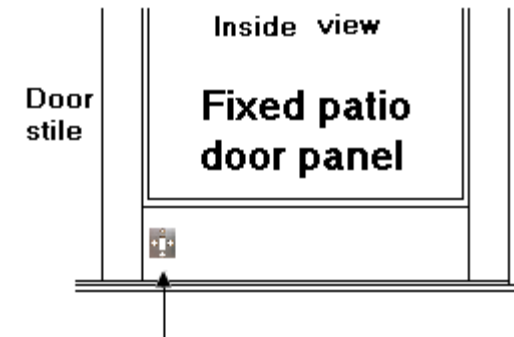


Foot Lock keeper complete with 4 screws

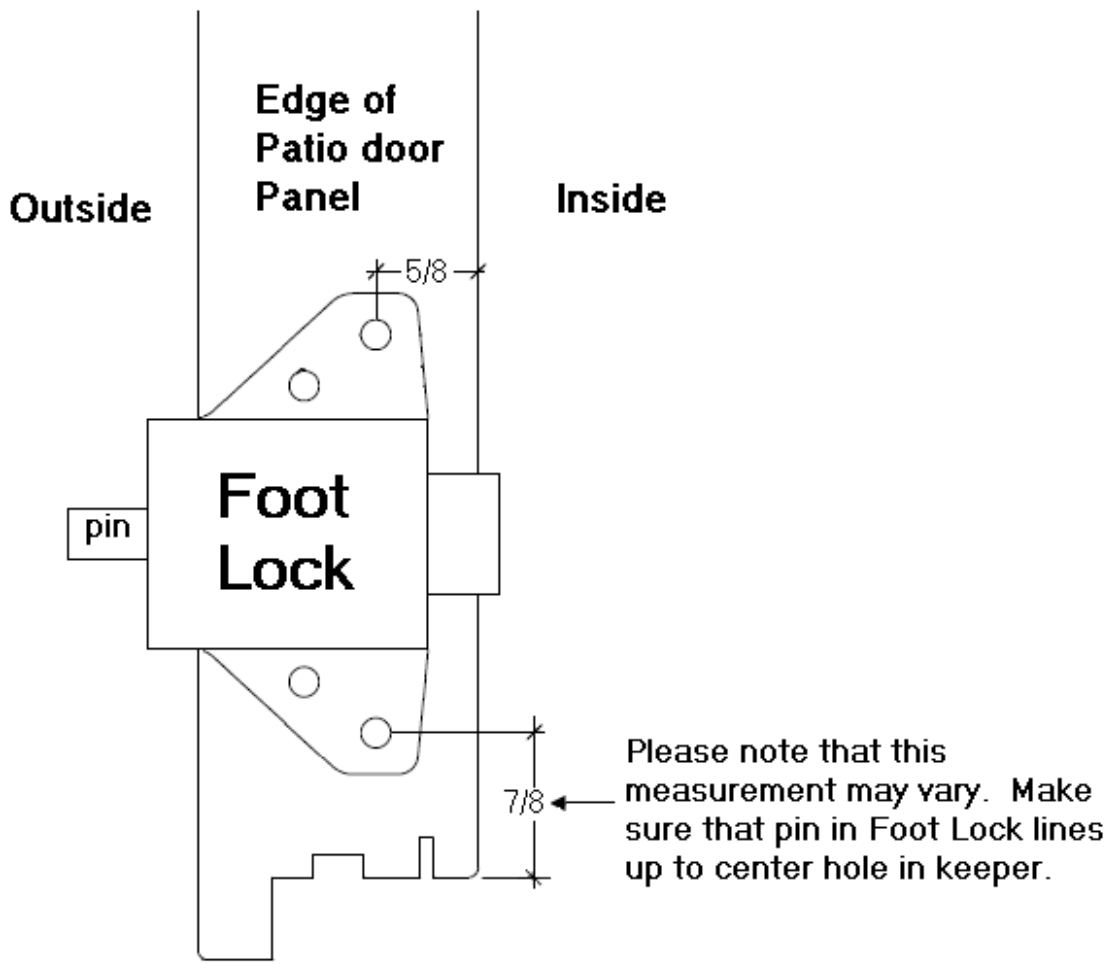


NORWOOD

NEVER ORDINARY



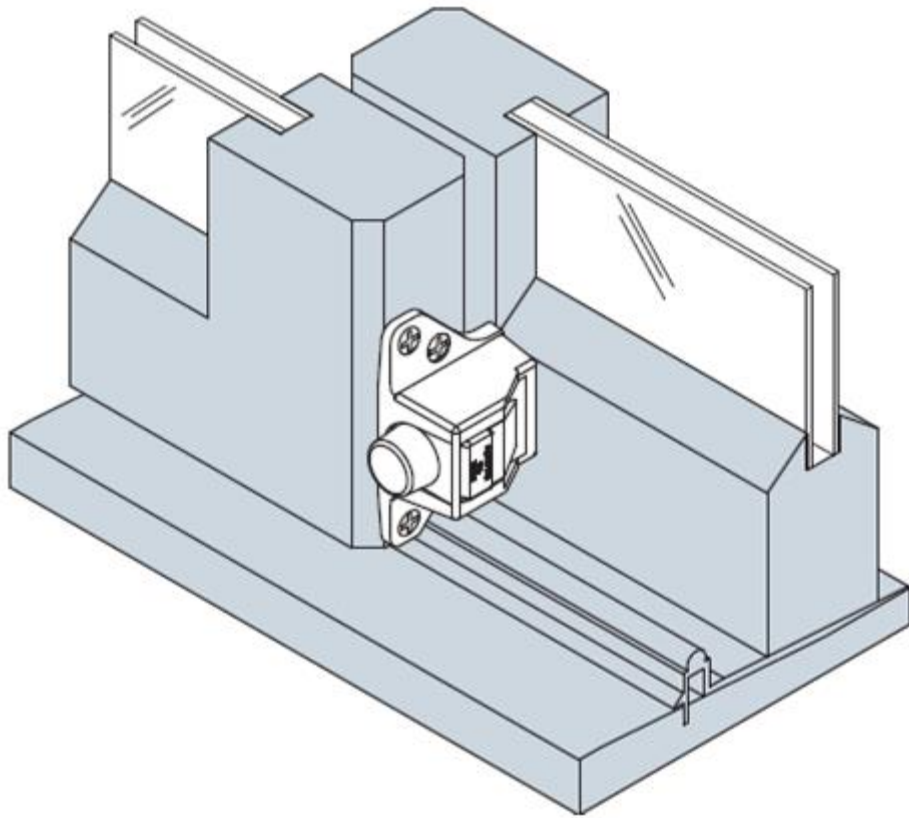
Line center hole on
keeper to mortise in
door, surface mount with
screws provided
Installing Foot Lock keeper



Installing Foot Lock on edge of active door panel

NORWOOD

NEVER ORDINARY



When completed the Installed Foot Lock should look similar to this.