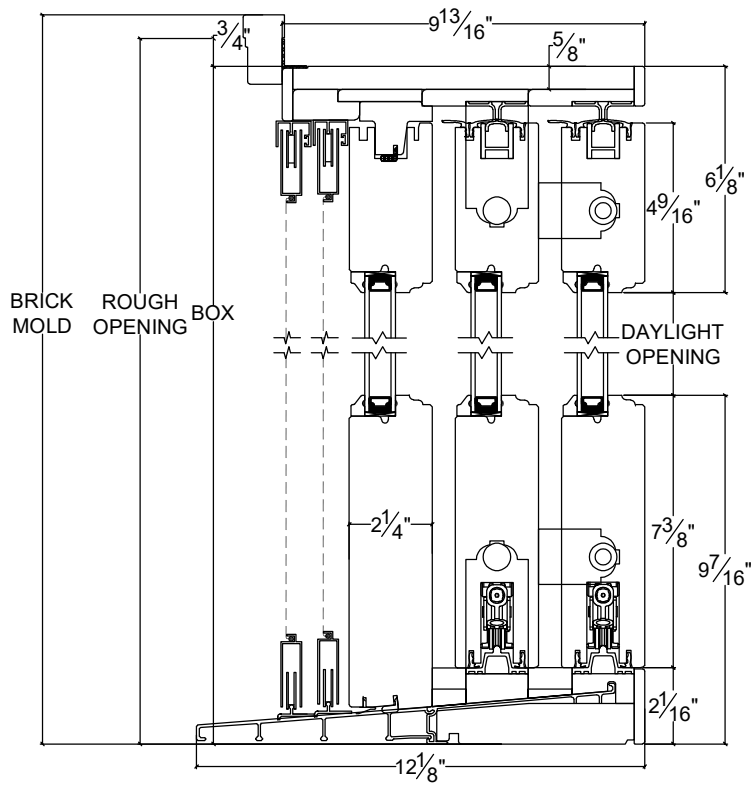


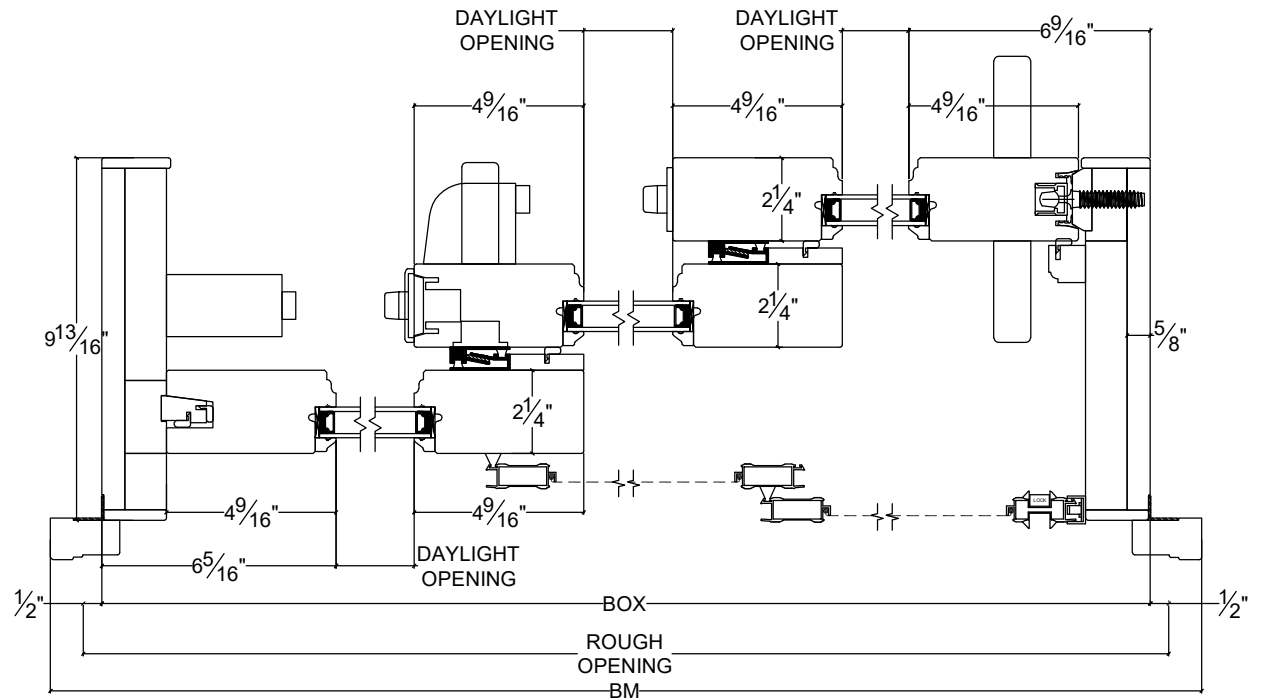
NORWOOD

WINDOWS & DOORS

Lift and Slide Scheme E 9 13/16" Jamb Aluminium Screen



Vertical



Horizontal